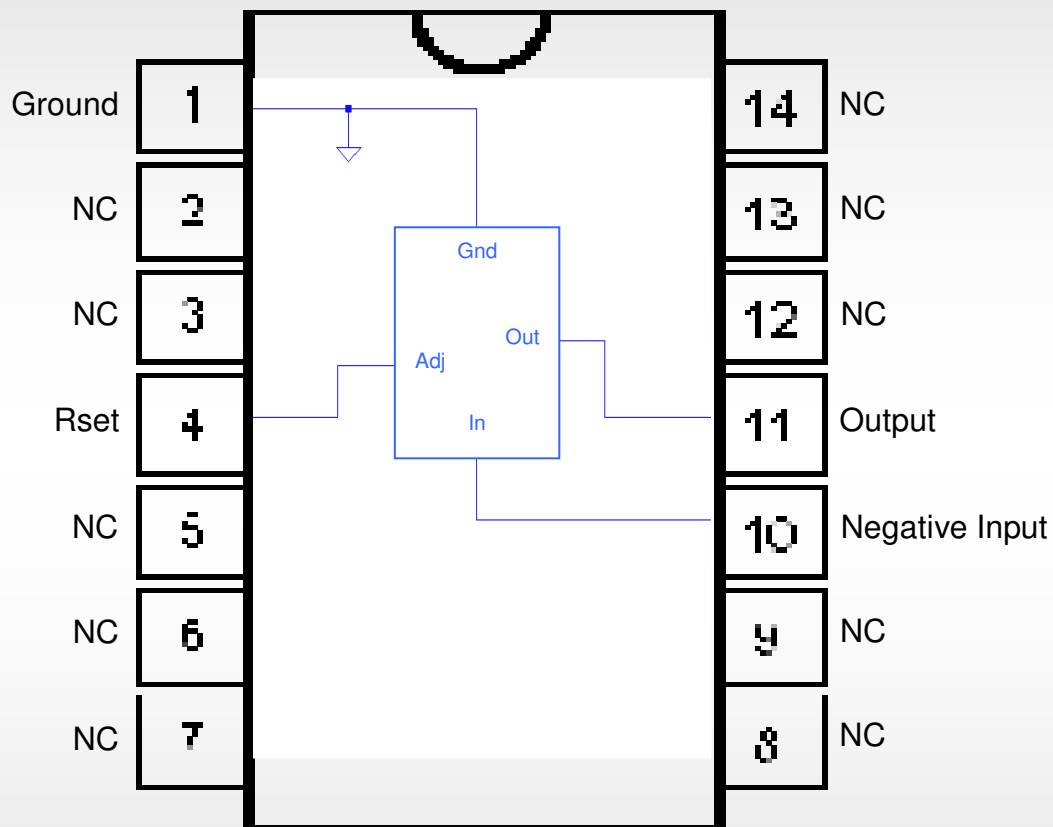


Radiation tolerant, latchup-free

K25

High Voltage, Low Power GaN Negative Supply Voltage Regulator, to -70V Range



Using much less than a milliamp of supply current, the K25 Building Block provides a stable, accurate negative regulated voltage which is essential for safe optimized operation of GaN MMIC devices.

Output voltage is set by a single external resistor to the output. The K25 includes an internal temperature-compensated voltage reference and high voltage pass transistor which can deliver output to within a 500 mV of the negative supply rail.

The K25 provides a quick start-up into regulation upon application of supply voltage.